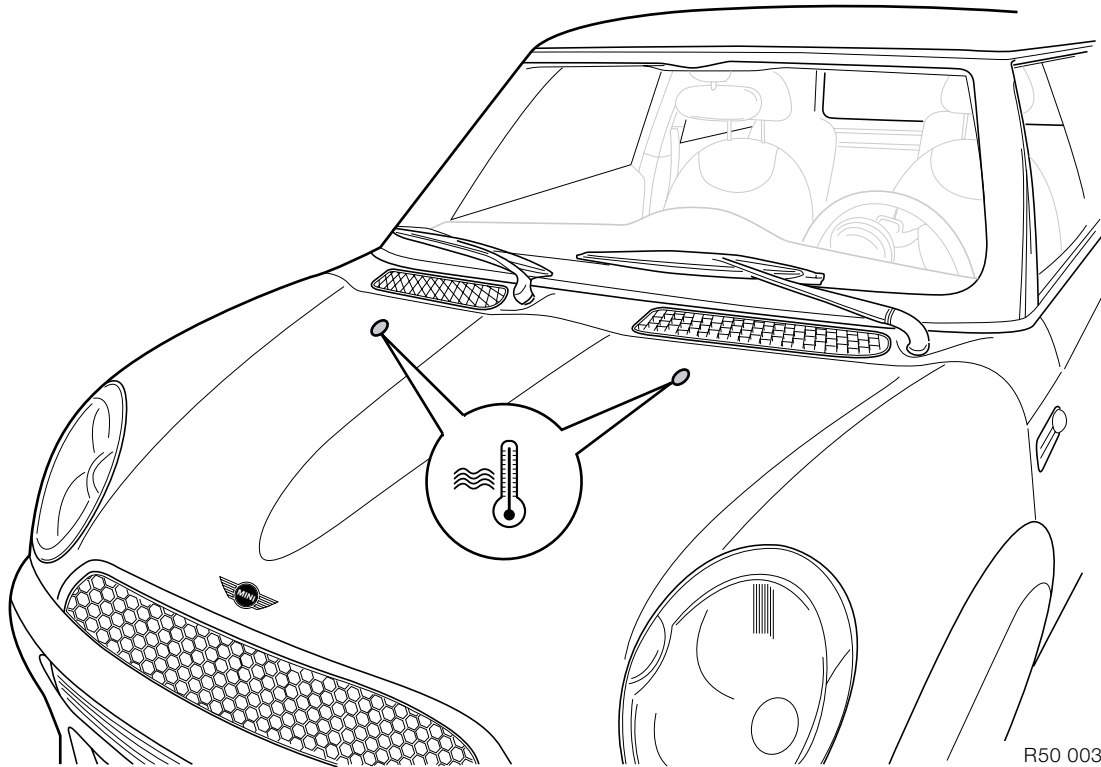




Parts and Accessories Installation Instructions



R50 0031 Z

Heated spray jets retrofit kit MINI (R50)

The installation time is approx. 1.5 hours, but this may vary depending on the condition of the car and the equipment in it.

Retrofit kit: 61 66 0 029 716

Contents

Section	Page
Important information	3
1. Preparations	4
2. Installation and cabling diagram	5
3. Heated spray jets wiring harness connection diagram.	6
4. To install the heated spray jets	7
5. To install and connect the heated spray jets wiring harness	8
6. Coding	9
7. Concluding work	10
8. Heated spray jets circuit diagram	11

Important information

The retrofit kit is only for use within the dealership organisation.

Do not kink or damage the cables during the installation work since otherwise they may cause faults that can later only be identified by extensive additional work. The costs incurred as a result of this will not be reimbursed.

If the specified PIN chambers are occupied, bridges, double crimps or twin-lead terminals must be used.

Target group

The target group for these installation instructions is specialist personnel trained on MINI cars with specialist knowledge of vehicle electrical systems.

Work:

All servicing, repair and installation work on MINI cars is completed at your own risk.

All work is to be carried out using current MINI

- Repair manuals
- Circuit diagrams

in a rational order using the prescribed tools (special tools) and observing current health and safety regulations.

Required tools and equipment

Set of flat screwdrivers

Set of Philips screwdrivers

Torch

1/4 inch socket set

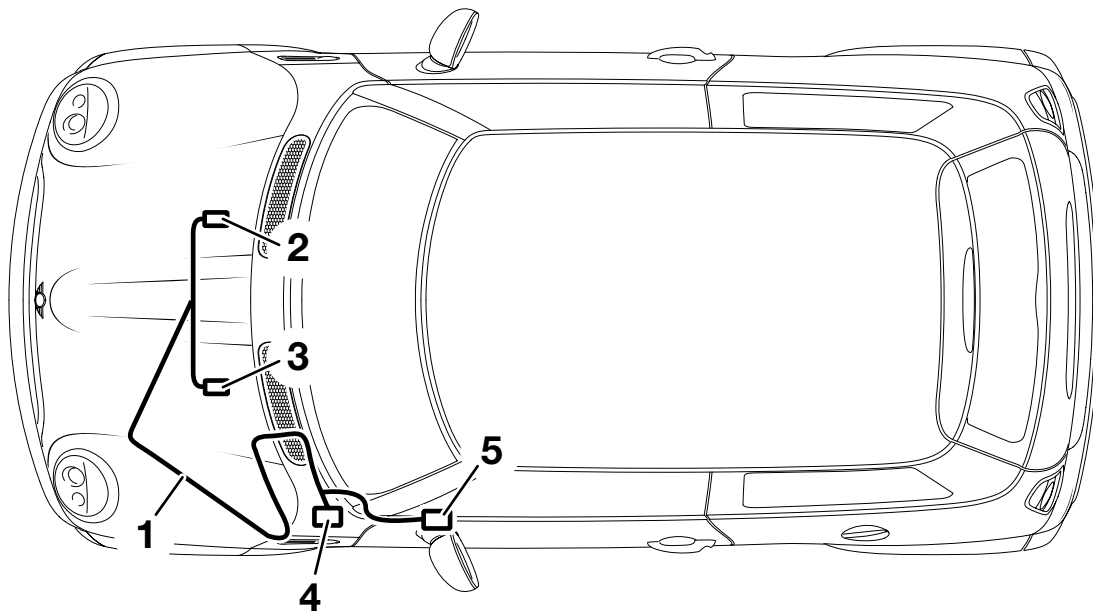
Angle cutter

Combination pliers

1. Preparations

	TIS instruction No.
Disconnect the negative pole of the battery	12 00 ...
The following components must be removed first of all:	
Bonnet insulation mat	---
Door sill strip, left	---
Oddments box under the steering wheel	---
Undo the fuse holder II on the left A pillar	---

2. Installation and cabling diagram

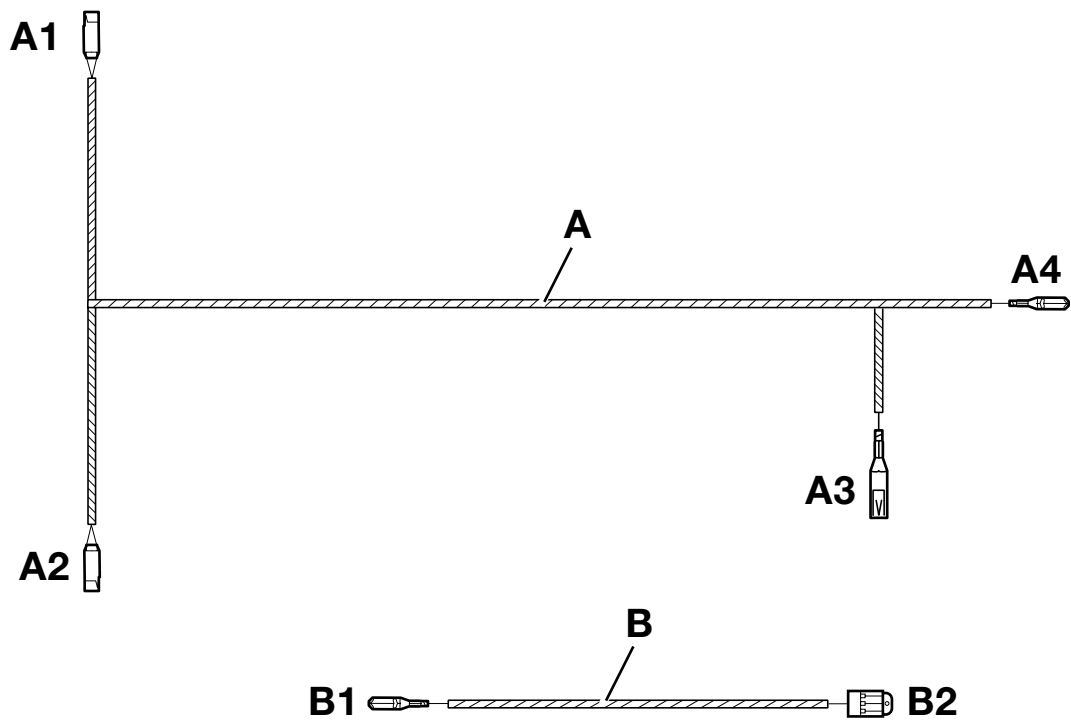


R50 0037 Z

Legend

- 1 Heated spray jets wiring harness
- 2 Heated spray jet, right
- 3 Heated spray jet, left
- 4 Fuse holder II
- 5 Joint connector X1108

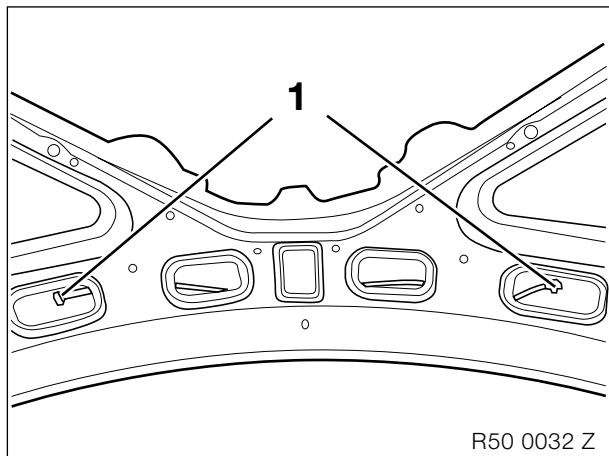
3. Heated spray jets wiring harness connection diagram



R50 0053 Z

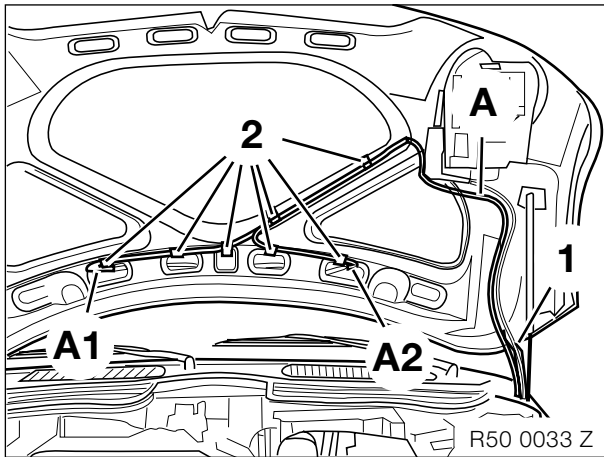
Item	Description	Signal	Cable colour / Cross-section	Connection location in the car	Abbreviation / Slot
A	Heated spray jets wiring harness	---	---	---	---
A1	SW 2-pin socket casing	---	---	To the right heated spray jet	X106
A2	SW 2-pin socket casing	---	---	To the left heated spray jet	X105
A3	Joint connector contact	Terminal 31	BR 1.0 mm ²	To the joint connector under the left door sill strip	X1108
A4	Flat spring contact	Terminal 15	GN/GE 0.75 mm ²	To fuse holder II, front Fuse F35 (5A)	X10204 PIN 10
B	Earth cable	---	---	Only required if joint connector X1108 is occupied	---
B1	Joint connector contact	Terminal 31	BR 1.5 mm ²	If necessary to joint connector X1108	X1106
B2	3-pin joint connector casing	Terminal 31	BR 1.5 mm ²	If necessary to heated spray jets wiring harness, branch A3	X1160

4. To install the heated spray jets



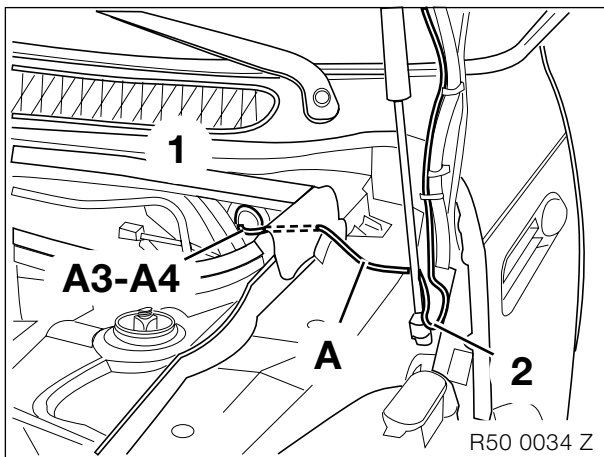
Replace the existing spray jets (1) with the enclosed heated spray jets.

5. To install and connect the heated spray jets wiring harness



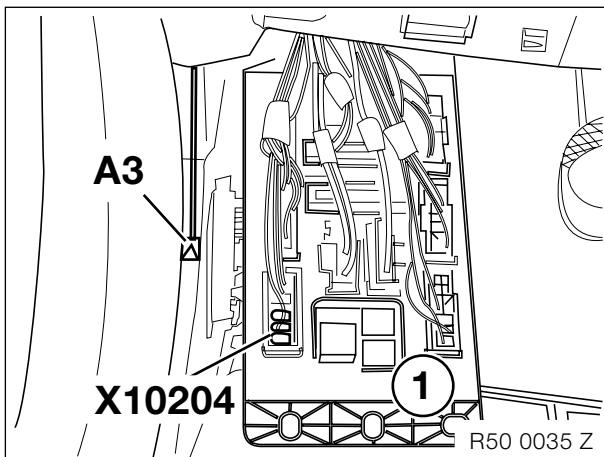
Connect branches **A1** and **A2** to the heated spray jets (1).
Lay the wiring harness **A** along the bonnet as shown to the left bonnet hinge (1) and secure it with the enclosed cable ties (2).

☐ On cars with a headlight cleaning system the wiring harness **A** is to be secured with cable ties to the spray water hose. ◀



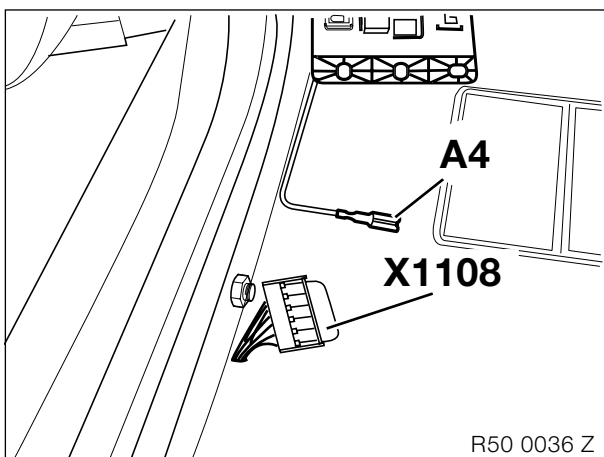
Lay the wiring harness **A** on to the rubber grommet (1) in the left bulkhead.
Lay branches **A3** and **A4** through the rubber grommet (2) into the interior and from there to fuse holder II.

⚠ Ensure that the cable is laid in the form of a loop approx. 100 mm long (2) in the wing. ◀



Disconnect the white 12-pin plug **X10204** from the fuse box II (1) and connect branch **A3** to **PIN 10**.
Reconnect plug **X10204** to the fuse box II (1).

☐ If **PIN 10** on plug **X10204** is occupied, branch **A3** must be connected using the enclosed miniature connector. ◀



Connect branch **A4** to joint connector **X1108**.

☐ If all the slots on joint connector **X1108** are occupied, proceed as follows:
-Connect branch **A4** to the enclosed 3-pin joint connector casing **B2**.
-Disconnect any brown cable from the joint connector **X1108** and connect it to the enclosed joint connector casing **B2**.
-Connect branch **B1** to the cleared slot in joint connector **X1108**. ◀

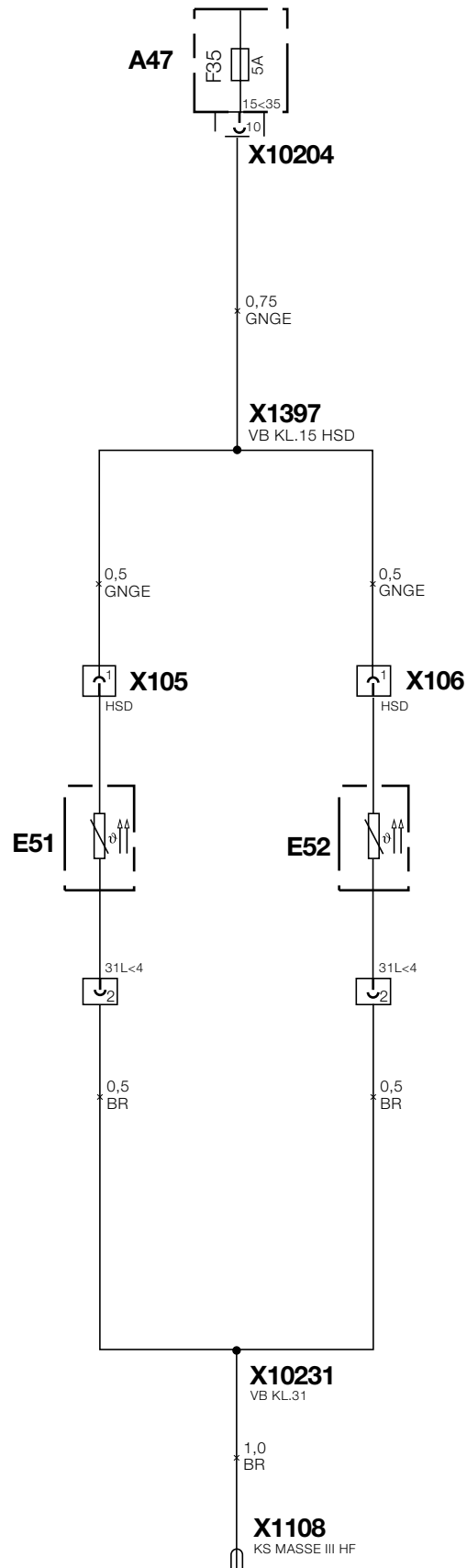
6. Coding

Retrofitting the heated spray jets is **not** coding relevant and **cannot** be diagnosed.

7. Concluding work

- Connect the battery
- Assemble the car again following the instructions to dismantle it in reverse order.

8. Heated spray jets circuit diagram



R50 0030 Z

8. Heated spray jets circuit diagram

Legend

A47	Fuse holder II
E51	Heated spray jet, left
E52	Heated spray jet, right
X105	Heated spray jet, left
X106	Heated spray jet, right
X1106	Earth IIE
X1108	KS earth III HF
X1160	KS earth VO II
X1397	Terminal 15 connector
X10204	Fuse holder input XIV
X10231	Terminal 31 connector

Cable colours

GN	green
BR	brown
GE	yellow