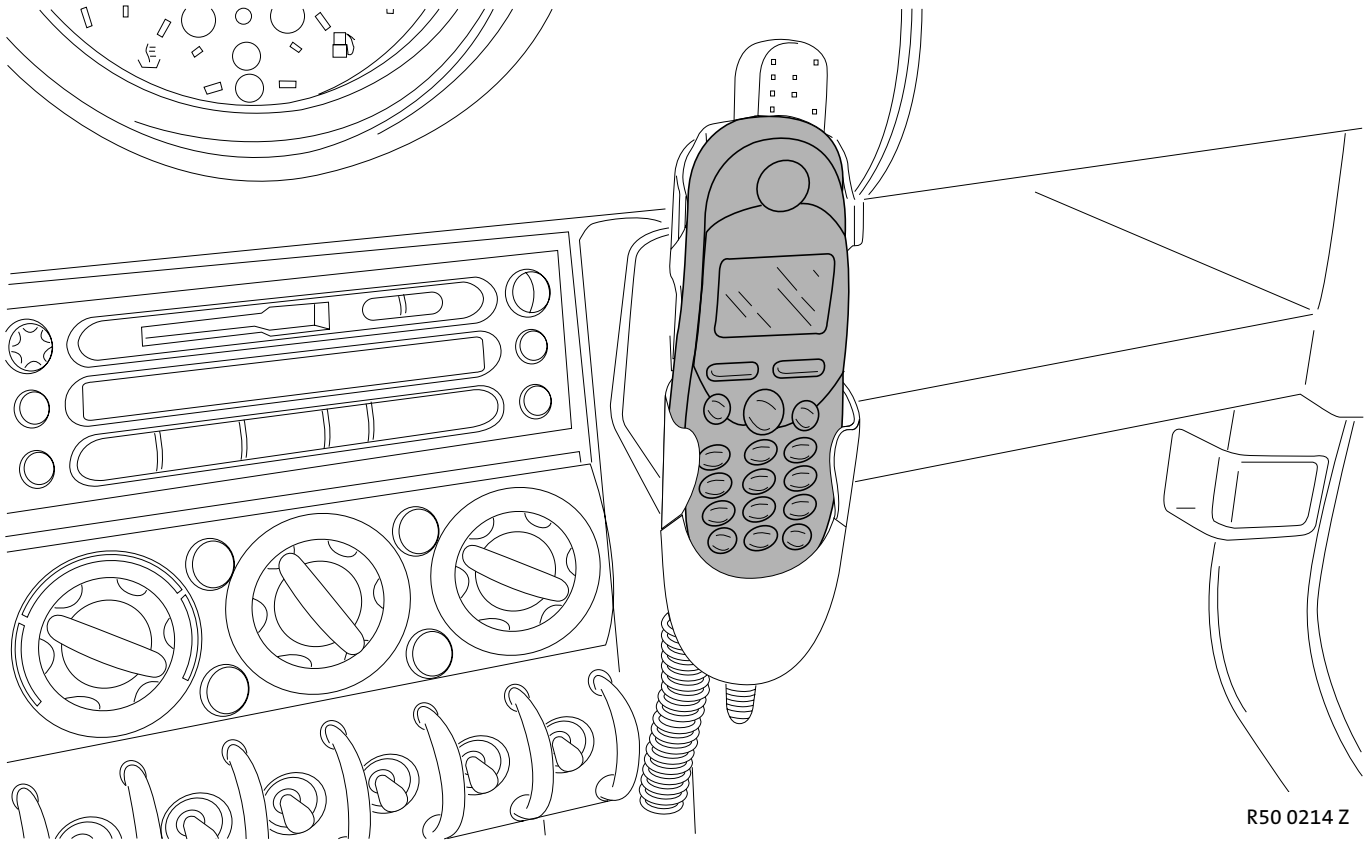




Parts and Accessories Installation Instructions



Retrofit Hands-Free Kit for Siemens Mobile Phones Series 35 and 45 MINI (R50 and R53)

The installation time is approx. 2 hours, but this may vary depending on the condition of the car and the equipment in it.

Retrofit/Installation kit No. 84 64 0 139 563
84 64 0 142 864

Contents

Section	Page
Important information	3
1. Preparations	4
2. Parts list	5
3. Installation and cabling diagram	6
4. Hands-free kit connection overview	7
5. To install and connect the wiring harness	8
6. To install the loudspeaker	9
7. To install the hands-free microphone	10
8. To install the mobile phone holder	11
9. To install the hands-free control unit	12
10. Concluding work	13
11. Hands-free kit circuit diagram	14

Important information

The retrofit kit is only for use within the dealership organisation.

Do not kink or damage the cables during the installation work since otherwise they may cause faults that can later only be identified by extensive additional work. The costs incurred as a result of this will not be reimbursed.

If the specified PIN chambers are occupied, bridges, double crimps or twin-lead terminals must be used.

This system does not require coding

Target group

The target group for these installation instructions is specialist personnel trained on MINI cars with specialist knowledge of vehicle electrical systems.

Work:

All servicing, repair and installation work on MINI cars is completed at your own risk.

All work is to be carried out using current MINI repair manuals and circuit diagrams in a rational order using the prescribed tools (special tools) and observing current health and safety regulations.

Required special tools

Crimping pliers for AMP contacts

Twist drill 5 mm

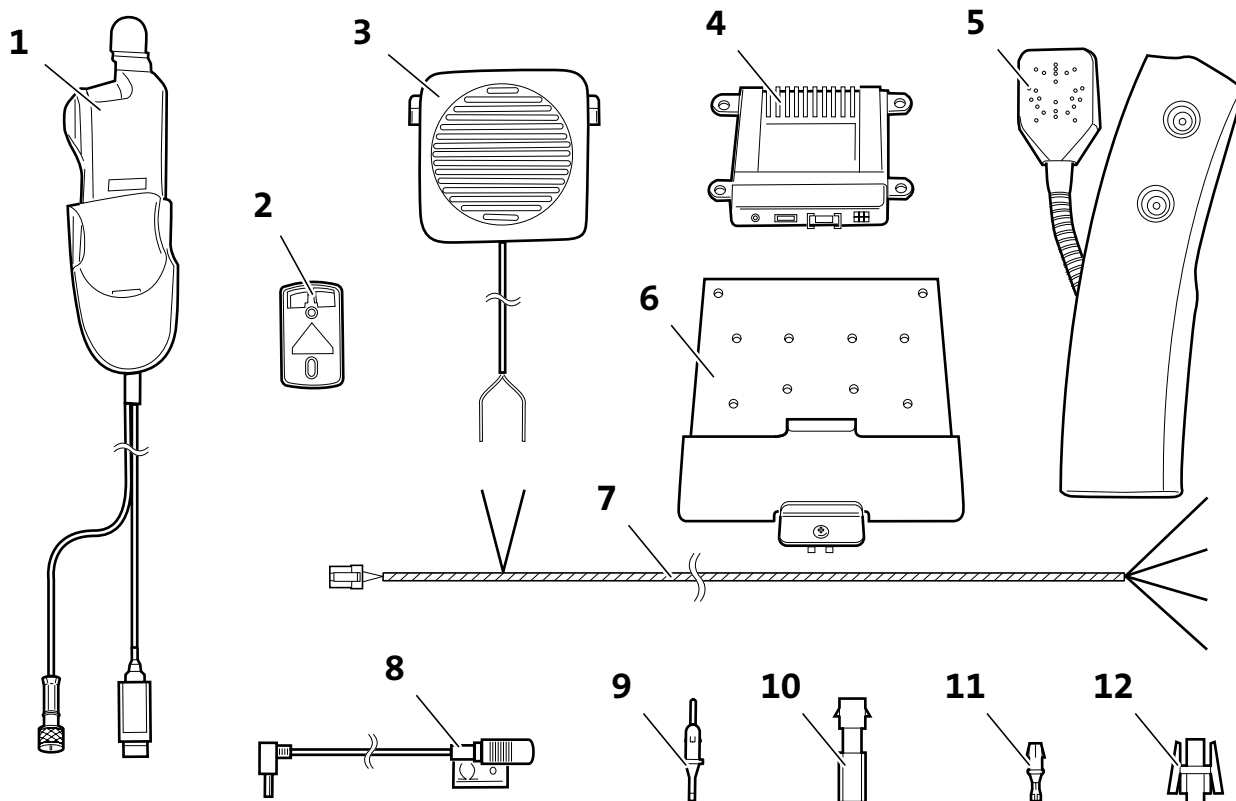
Step drill bit

Drill

1. Preparations

	TIS instruction No.
Conduct a brief test	
Disconnect the negative pole of the battery	12 00 ...
The following components must be removed first of all:	
Oddments box in instrument trim on the passenger side	51 16 390
Trim between front centre console and instrument panel	51 16 198
Radio	65 11 030
A pillar trim on the right	51 43 201
Interior mirror	51 16 060
Clock	

2. Parts list

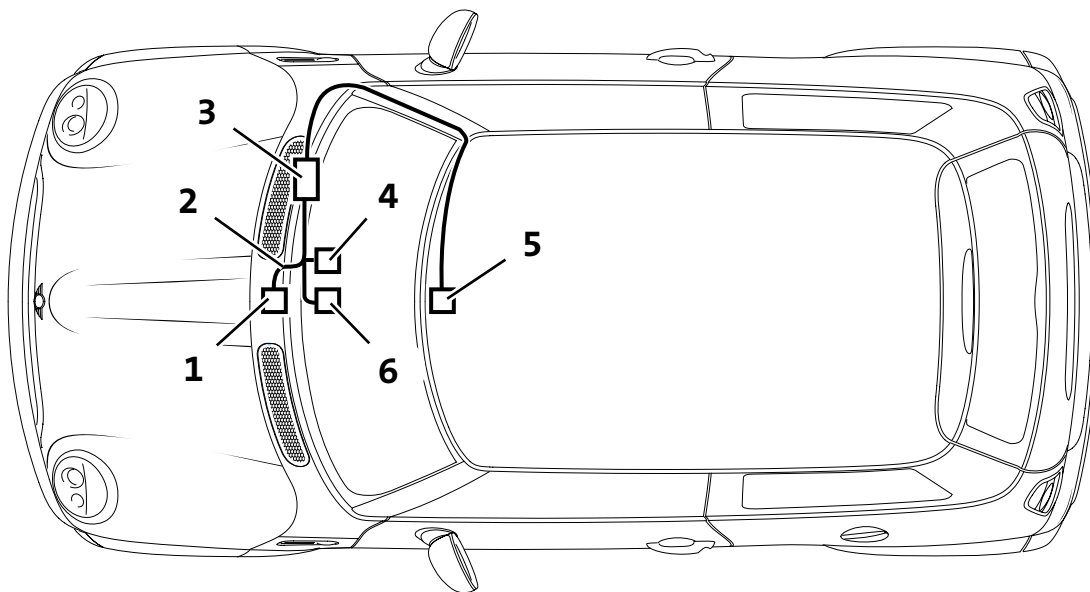


R50 0215 Z

Legend

- 1 Mobile phone holder
- 2 Retaining plate for the mobile phone holder
- 3 Loudspeaker
- 4 Hands-free control unit
- 5 Gooseneck
- 6 Holder for hands-free control unit
- 7 Wiring harness
- 8 Hands-free microphone
- 9 Plug contact (4x)
- 10 Plug casing (4x)
- 11 Socket casing (4x)
- 12 Socket casing (4x)

3. Installation and cabling diagram

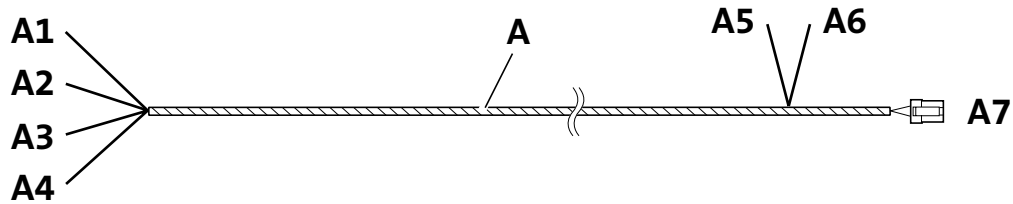


R50 0216 Z

Legend

- 1 Radio plug X18126
- 2 Wiring harness
- 3 Hands-free control unit
- 4 Gooseneck with mobile phone holder
- 5 Hands-free microphone
- 6 Loudspeaker

4. Hands-free kit connection overview



R50 0223 Z

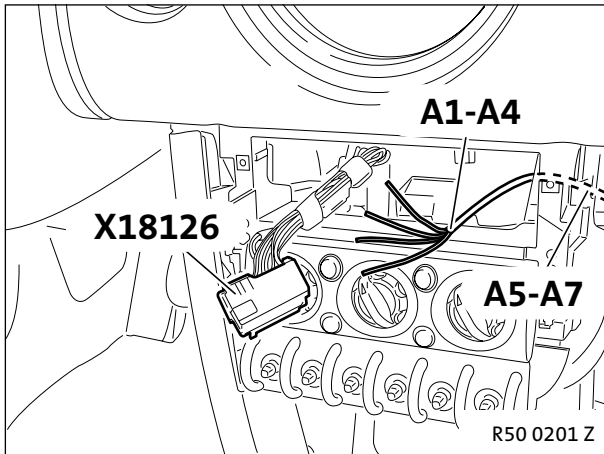
Item	Description	Signal	Cable colour / Cross-section	Connection location in the car	Abbreviation / Slot
A	Wiring harness	---	---	---	---
A1	Cable branch	Earth	BR 0.75 mm ²	With enclosed socket and plug contact on radio plug With new generation radio Without new generation radio	X18126 PIN 12 PIN 15
A2	Cable branch	Terminal 30	RT 0.75 mm ²	With enclosed socket and plug contact on radio plug With new generation radio Without new generation radio	X18126 PIN 15 PIN 9
A3	Cable branch	Terminal R	VI 0.75 mm ²	With enclosed socket and plug contact on radio plug With new generation radio Without new generation radio	X18126 PIN 16 PIN 10
A4	Cable branch	Mute	SW 0.35 mm ²	With enclosed socket and plug contact on radio plug With new generation radio Without new generation radio	X18126 PIN 10 PIN 4
A5	Cable branch	LSP+	SW 0.5 mm ²	With butt-joint connector* and shrink hose* on SW/WS cable of the loudspeaker	---
A6	Cable branch	LSP-	GN 0.5 mm ²	With butt-joint connector* and shrink hose* on SW/WS cable of the loudspeaker	---
A7	6-pin SW plug	---	---	On hands-free control unit	---

* Butt-joint connector and shrink hose are not included in the installation kit.

Butt-joint connector part number: 61 13 8 353 746

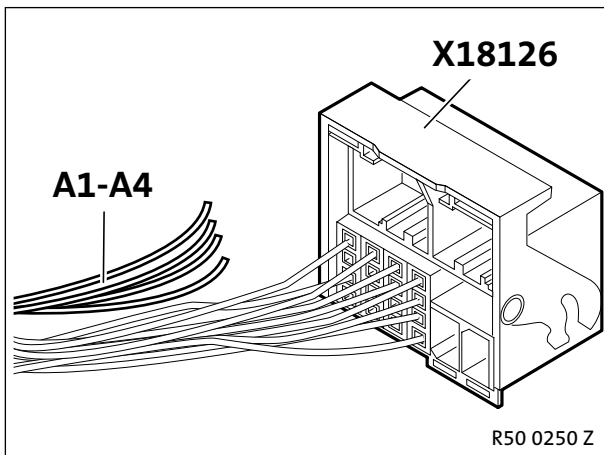
Shrink hose part number: 61 13 1 379 833

5. To install and connect the wiring harness



Route branches **A1 – A4** to the radio plug **X18126**.

Route branches **A5 – A7** to the oddments box on the passenger side.

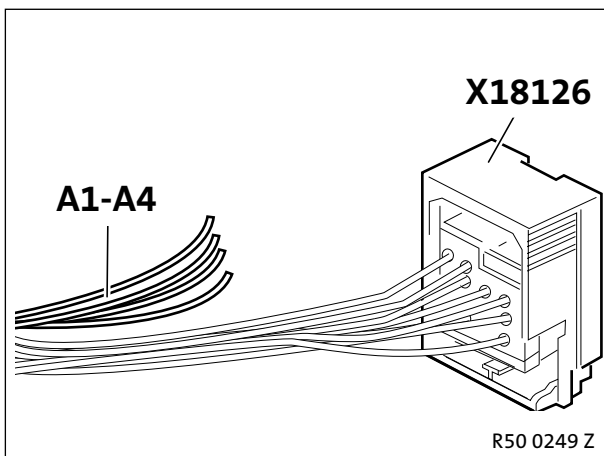


Cars with a new generation radio only

Connect branches **A1 – A4** as follows to plug **X18126**:

- **A1**, BR cable, to BR cable on PIN 12
- **A2**, RT cable, to RT/GN cable on PIN 15
- **A3**, VI cable, to VI/GR cable on PIN 16
- **A4**, SW cable, to WS/BR cable on PIN 10

See figure R50 0248 Z for the procedure

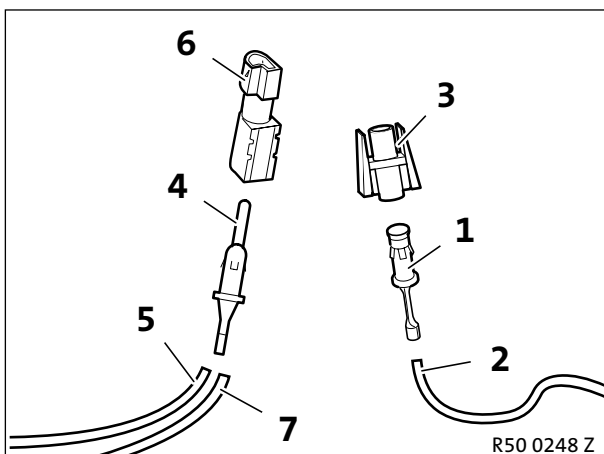


Cars without a new generation radio only

Connect branches **A1 – A4** as follows to plug **X18126**:

- **A1**, BR cable, to BR cable PIN 15
- **A2**, RT cable, to RT/GN cable PIN 9
- **A3**, VI cable, to VI/WS cable PIN 10
- **A4**, SW cable, to WS/BR cable PIN 4

See figure R50 0248 Z for the procedure



All cars

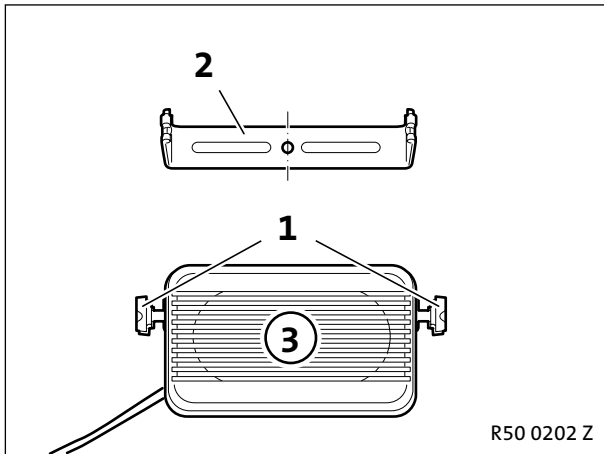
Cut the corresponding cable of the plug **X18126** at a suitable point.

Crimp the socket contact (1) onto the cable end (2) of the plug and put on the socket casing (3).

Crimp the plug contact (4) onto the open cable end (5), crimp on the corresponding branch (7) and put on the plug casing (6).

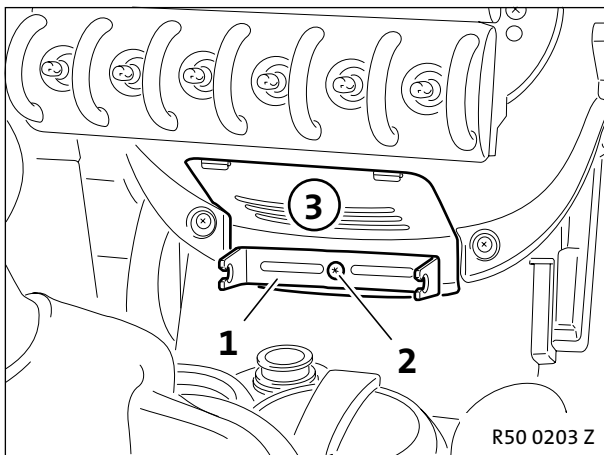
Connect the socket and plug casings (3+6) together.

6. To install the loudspeaker

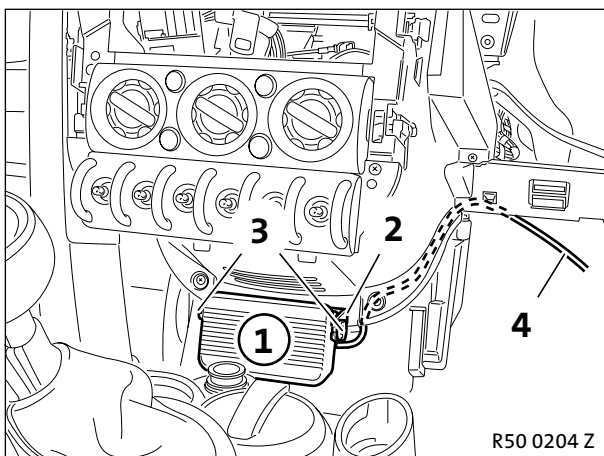


Unscrew both knurled-head bolts (1) and remove the holder (2) from the loudspeaker (3).

Drill a 5 mm hole in the centre of the holder (2).

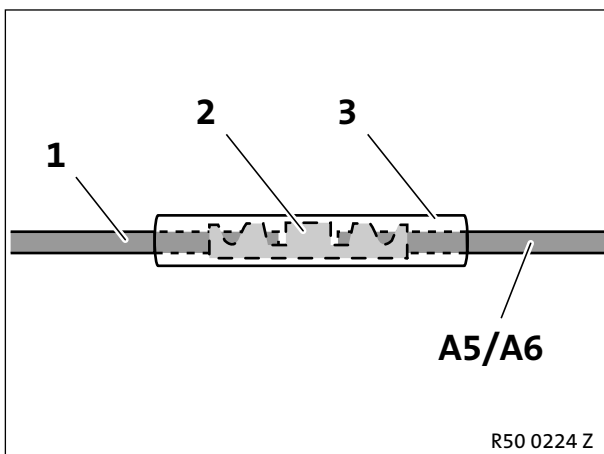


Screw the holder (1) to the trim (3) using the existing Torx screw (2).



Insert the loudspeaker (1) into the holder (2) and secure it with the knurled-head bolts (3).

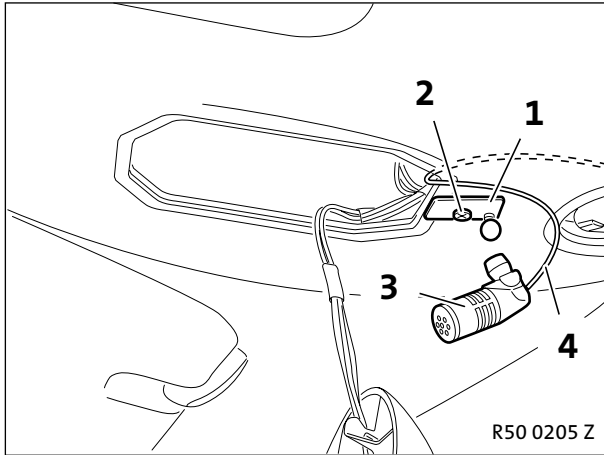
Route the loudspeaker cable (4) to the oddments box on the passenger side.



Connect the loudspeaker cable (1) to branches **A5** and **A6** using the butt-joint connector (2) and shrink hose (3) as follows:

- Black/white loudspeaker cable to branch **A5**, SW cable
- Black loudspeaker cable to branch **A6**, GN cable

7. To install the hands-free microphone

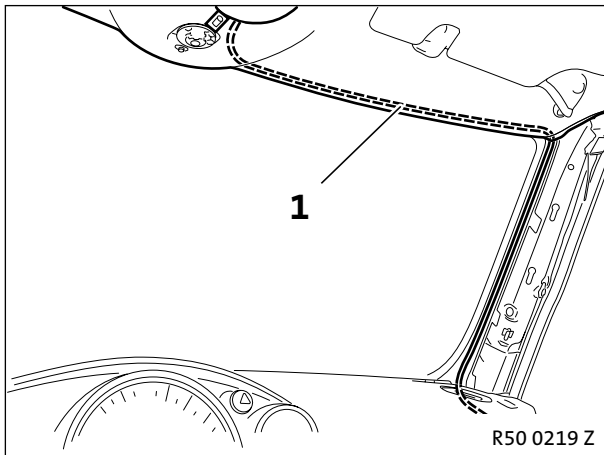


Screw the holder (1) to the headlining using Philips screws (2) as shown.

Clip the hands-free microphone (3) into the holder (1).

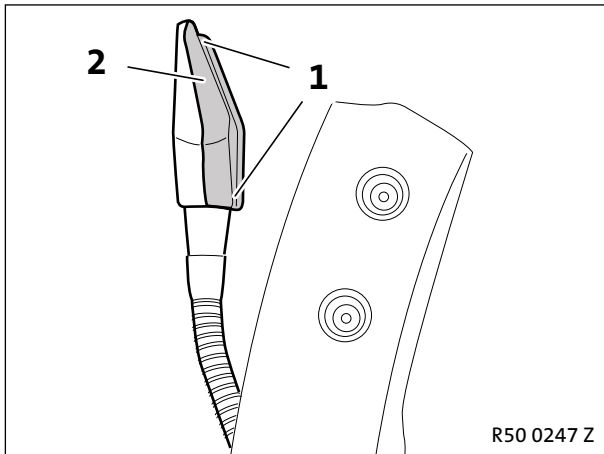
Carefully lower the front headlining.

Route the microphone cable (4) beneath the headlining towards the A pillar on the passenger side.

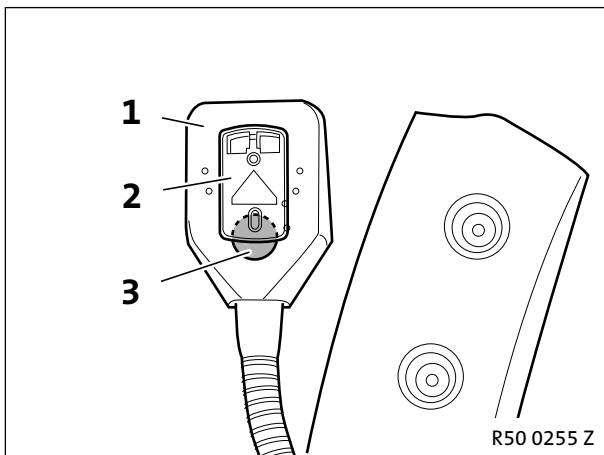


Route the microphone cable (1) to the oddments box on the passenger side.

8. To install the mobile phone holder

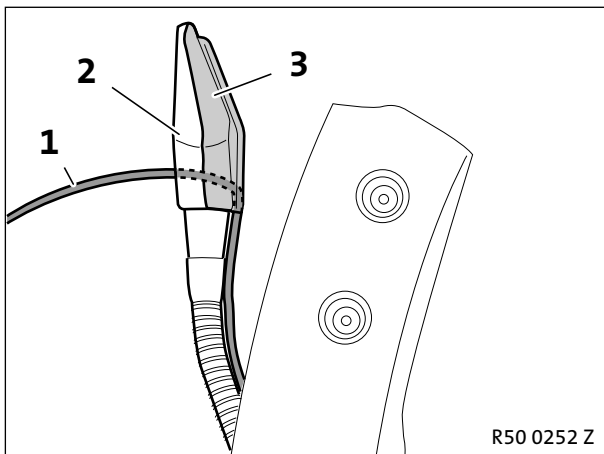


Undo the Philips screws (1) and remove the rear cover (2).

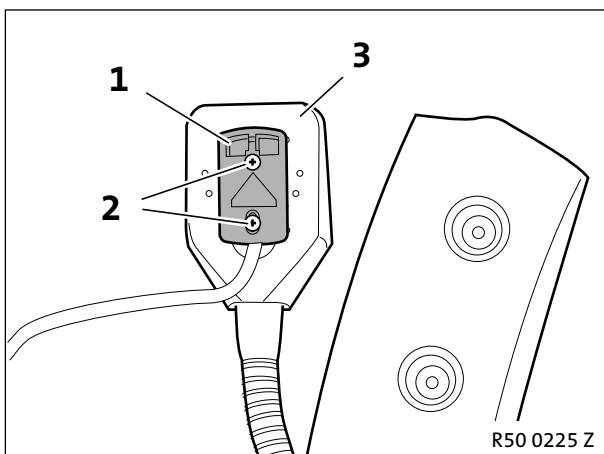


Place the retaining plate (1) onto the gooseneck (2) and mark the outline.

Drill a 17 mm hole (3) in the bottom area as shown.

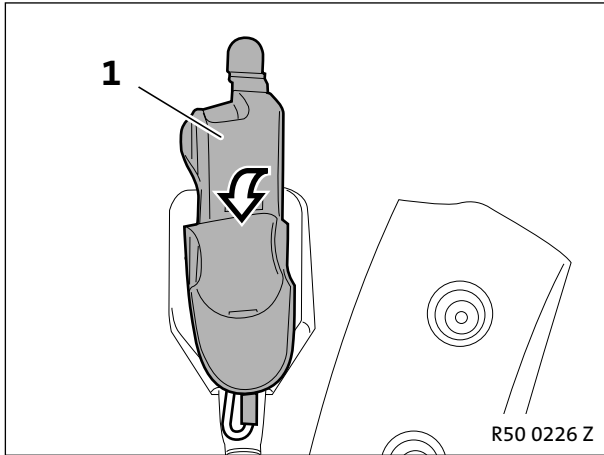


Route the cables (1) of the mobile phone holder through the gooseneck (2) and put the rear cover (3) back on.

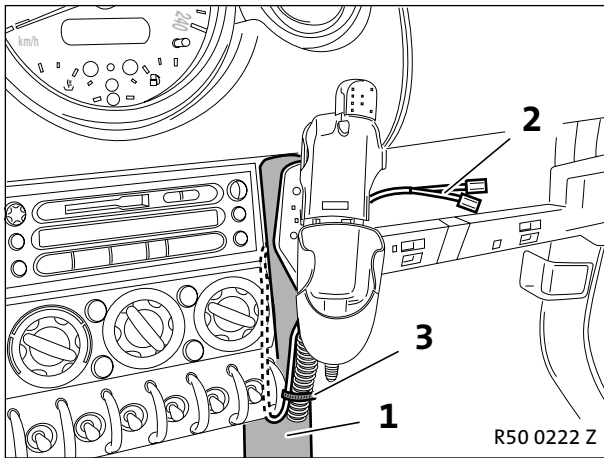


Screw the retaining plate (1) onto the gooseneck (3) using Philips screws (2).

8. To install the mobile phone holder



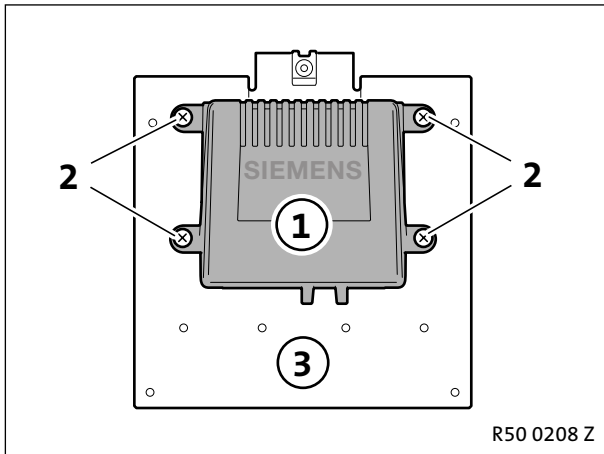
Push the mobile phone holder (1) onto the retaining plate from the top.



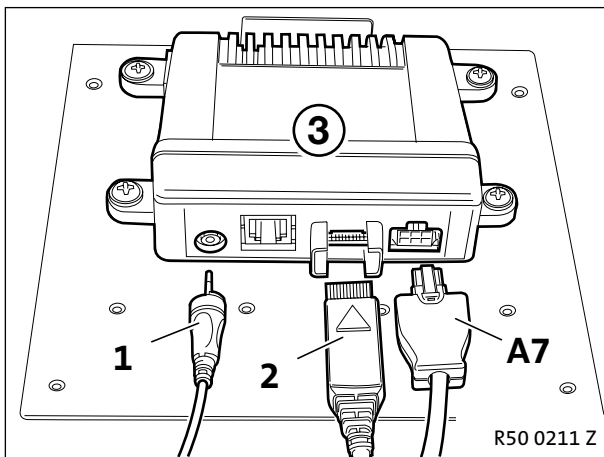
Install the radio.

Install the gooseneck (1) and attach the connection cable (2) as shown using cable ties (3). Route it to the oddments box on the passenger side.

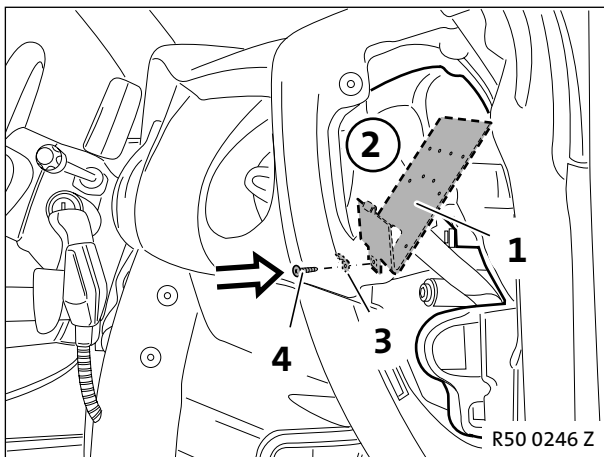
9. To install the hands-free control unit



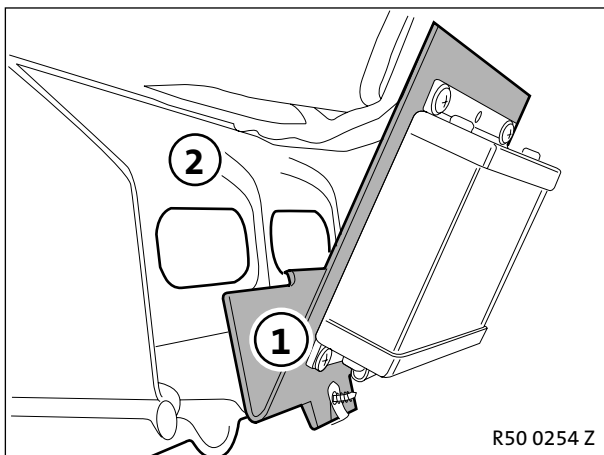
Screw the hands-free control unit (1) onto the holder (3) using Philips screws (2).




Connect the microphone cable plug (1), the mobile phone holder plug (2) and branch A7 to the hands-free control unit (3).



Hook the holder (1) into the instrument carrier (2) from behind and fasten it in place using the bar (3) and a Philips screw (4).



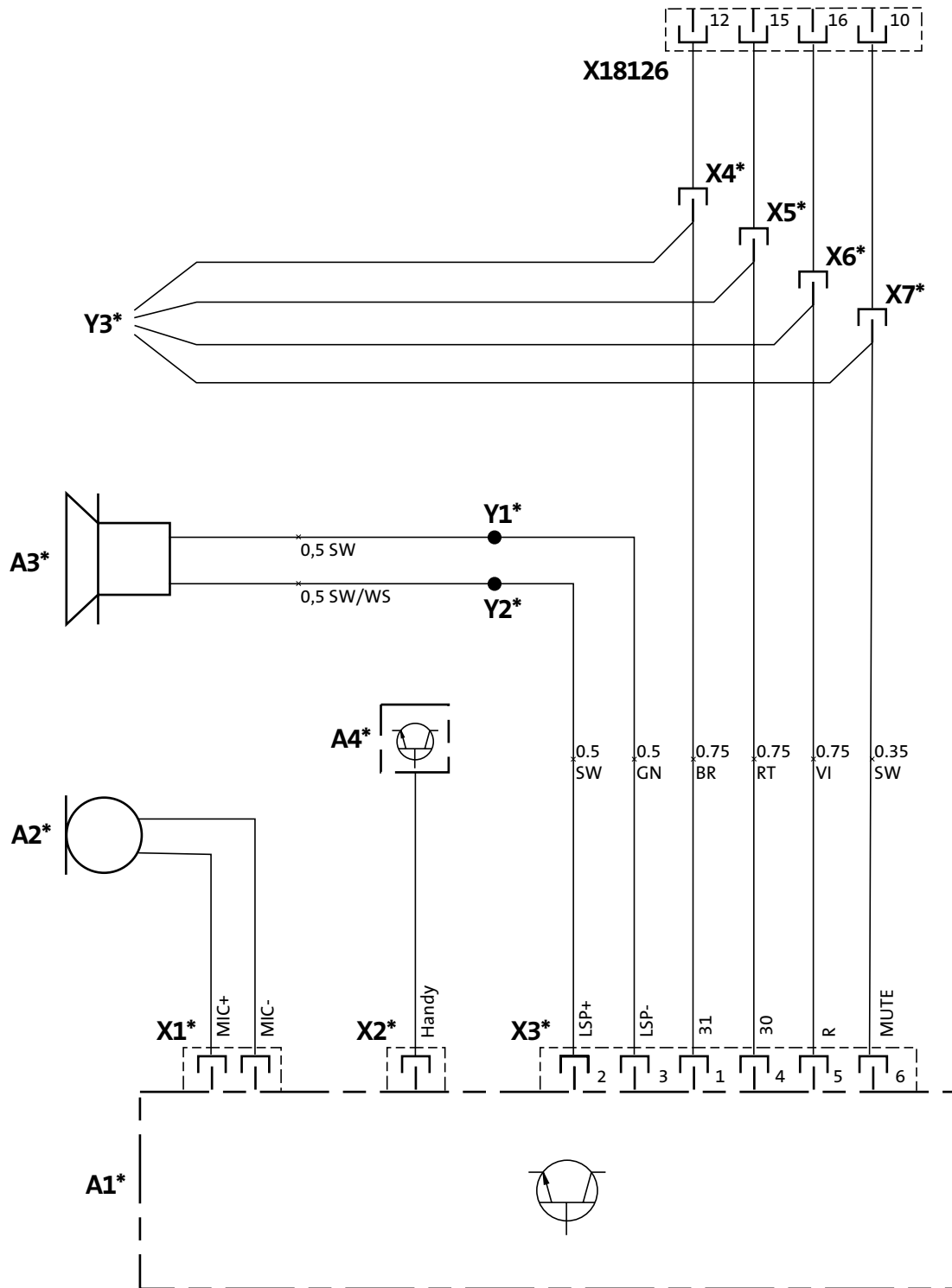
 The figure shows the installed holder (1) with the instrument carrier removed (2). ◀

10. Concluding work

- Connect battery
- Conduct a brief test
- Conduct a function test
- Assemble the car following the instructions to dismantle it in reverse order.

11. Hands-free kit circuit diagram

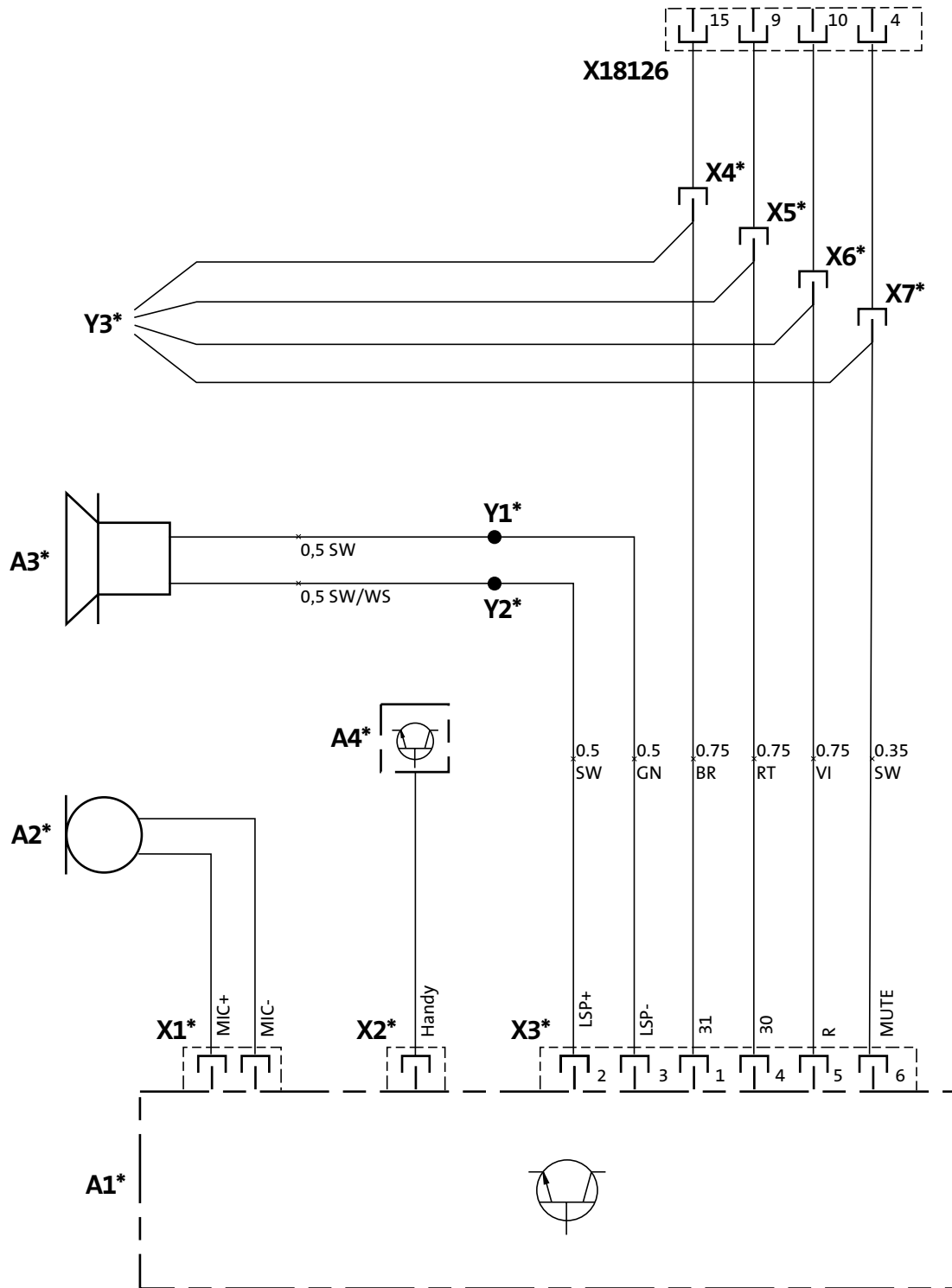
Cars with a new generation radio only



R50 0227 Z

11. Hands-free kit circuit diagram

Cars without a new generation radio only



R50 0228 Z

11. Hands-free kit circuit diagram

Legend

A1*	Hands-free control unit
A2*	Hands-free microphone
A3*	Loudspeaker
A4*	Mobile phone holder
X1*	SW 2-pin pawl plug
X2*	SW 12-pin plug
X3*	SW 6-pin plug
X4*	Twin-lead terminal
X5*	Twin-lead terminal
X6*	Twin-lead terminal
X7*	Twin-lead terminal
X18126	Radio plug
Y1*	Butt-joint connector
Y2*	Butt-joint connector
Y3*	To standard wiring harness

All designations with an asterisk (*) only apply to these installation instructions and these circuit diagrams.

Cable colours

RT	red
SW	black
GN	green
BR	brown
VI	violet
WS	white