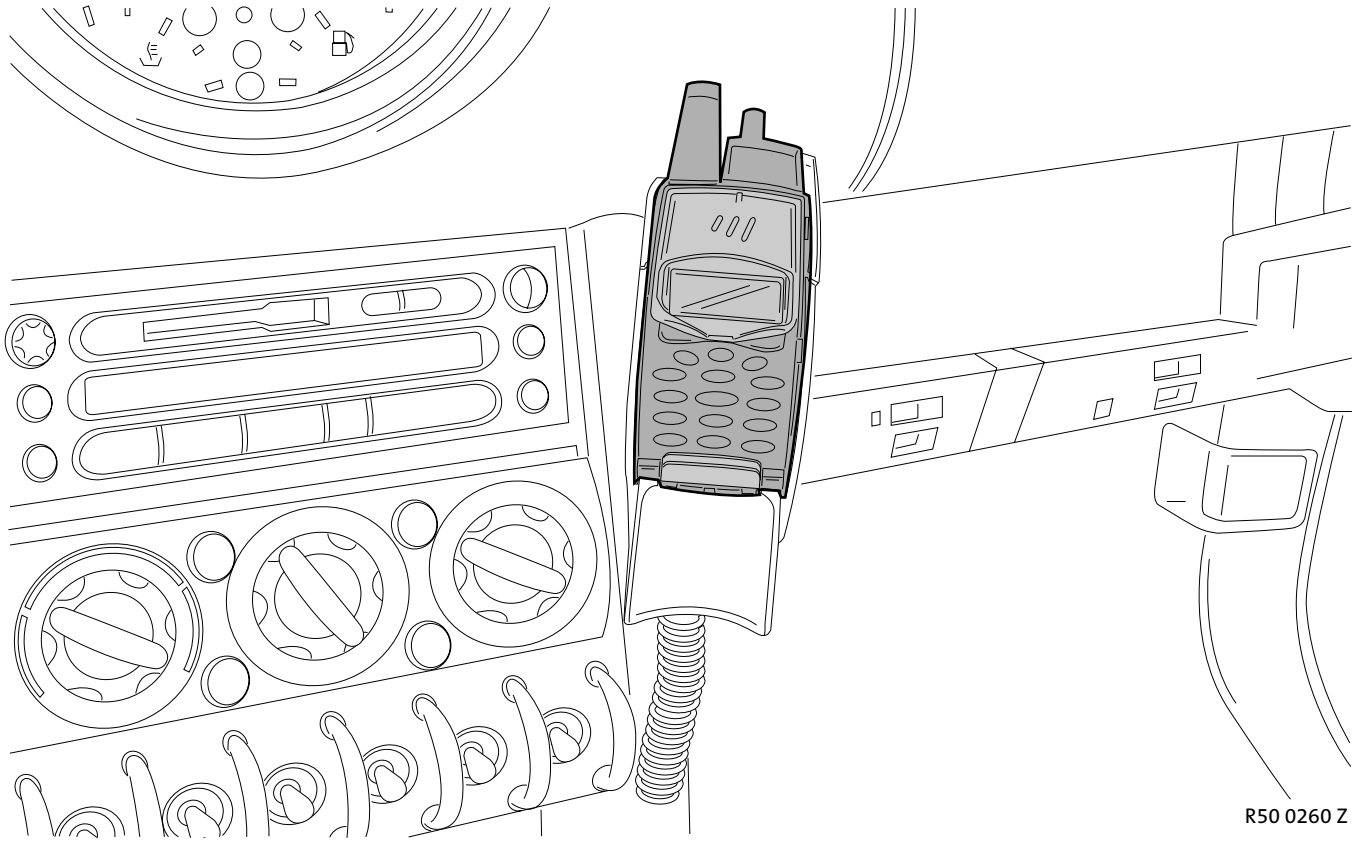




# Parts and Accessories Installation Instructions



R50 0260 Z

## **Retrofit Hands-Free Kit for Ericsson Mobile Phones T39 MINI (R50 and R53)**

The installation time is approx. 2 hours, but this may vary depending on the condition of the car and the equipment in it.

Retrofit / Installation kit No. 84 64 0 139 560

## Contents

Section	Page
Important information .....	3
1. Preparations .....	4
2. Parts list .....	5
3. Installation and cabling diagram .....	6
4. Hands-free kit connection overview .....	7
5. To install and connect the wiring harness .....	8
6. To install the loudspeaker .....	9
7. To install the hands-free microphone .....	10
8. To install the mobile phone holder .....	11
9. To install the hands-free control unit .....	14
10. Concluding work .....	15
11. Hands-free kit circuit diagram .....	16

## **Important information**

The retrofit kit is only for use within the dealership organisation.

Do not kink or damage the cables during the installation work since otherwise they may cause faults that can later only be identified by extensive additional work. The costs incurred as a result of this will not be reimbursed.

If the specified PIN chambers are occupied, bridges, double crimps or twin-lead terminals must be used.

This system does not require coding

## **Target group**

The target group for these installation instructions is specialist personnel trained on MINI cars with specialist knowledge of vehicle electrical systems.

Work:

All servicing, repair and installation work on MINI cars is completed at your own risk.

All work is to be carried out using current MINI repair manuals and circuit diagrams in a rational order using the prescribed tools (special tools) and observing current health and safety regulations.

## **Required special tools**

Crimping pliers for AMP contacts

Twist drill 5 mm

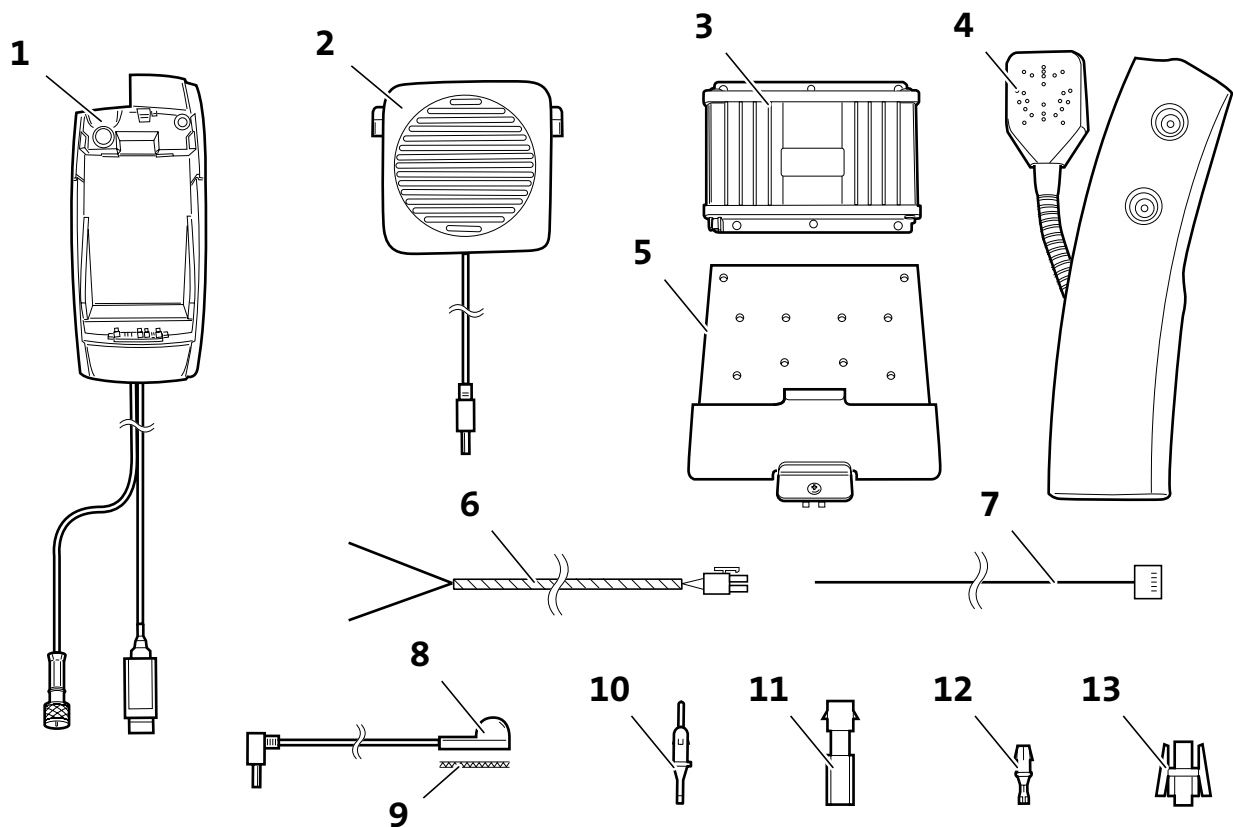
Step drill bit

Drill

## 1. Preparations

	TIS instruction No.
Conduct a brief test	
Disconnect the negative pole of the battery	12 00 ...
<b>The following components must be removed first of all:</b>	
Oddments box in instrument trim on the passenger side	51 16 390
Trim between front centre console and instrument panel	51 16 198
Radio	65 11 030
A pillar trim on the right	51 43 201
Interior mirror	51 16 060
Clock	

## 2. Parts list

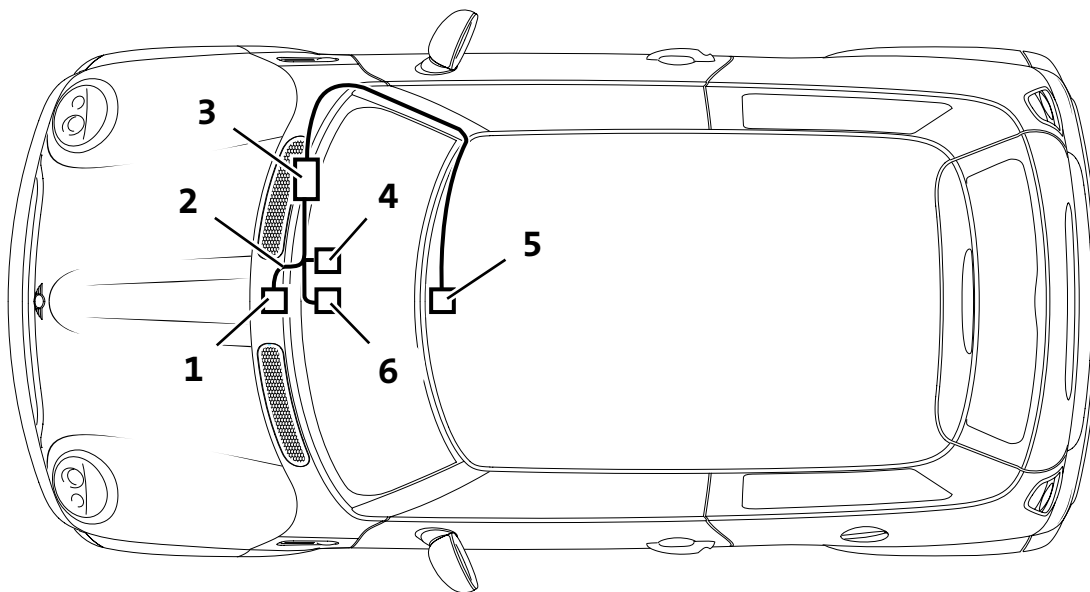


R50 0272 Z

### Legend

- 1 Mobile phone holder
- 2 Loudspeaker
- 3 Hands-free control unit
- 4 Gooseneck
- 5 Holder for hands-free control unit
- 6 Power supply wiring harness
- 7 Mute circuit wiring harness
- 8 Hands-free microphone
- 9 Self-adhesive Velcro strip
- 10 Plug contact (4x)
- 11 Plug casing (4x)
- 12 Socket casing (4x)
- 13 Socket casing (4x)

### 3. Installation and cabling diagram

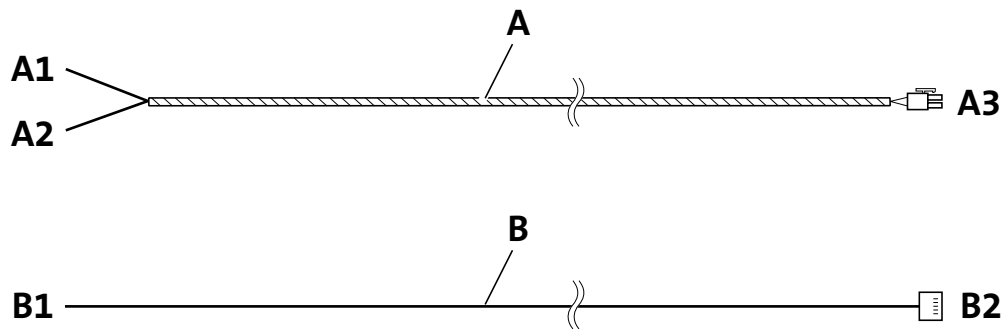


R50 0216 Z

#### Legend

- 1 Radio plug X18126
- 2 Wiring harness
- 3 Hands-free control unit
- 4 Gooseneck with mobile phone holder
- 5 Hands-free microphone
- 6 Loudspeaker

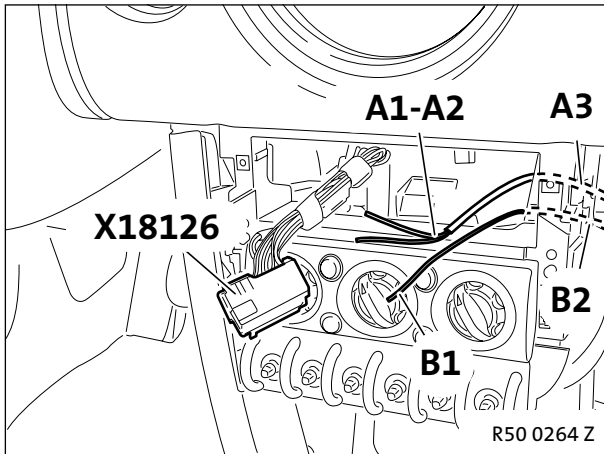
#### 4. Hands-free kit connection overview



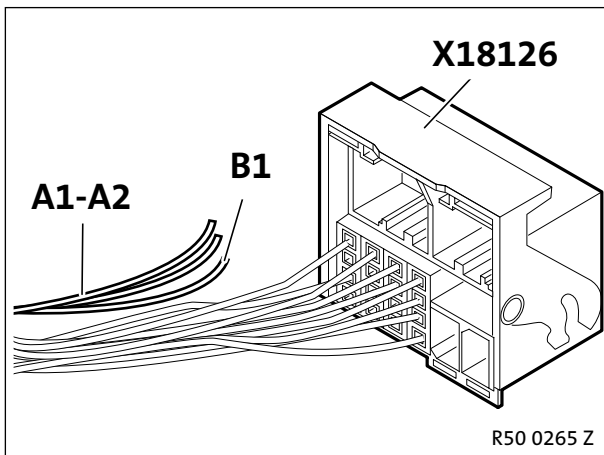
R50 0256 Z

Item	Description	Signal	Cable colour / Cross-section	Connection location in the car	Abbreviation / Slot
A	Power supply wiring harness	---	---	---	---
A1	Cable branch	Earth	SW 0.75 mm <sup>2</sup>	With enclosed socket and plug contact on radio plug With new generation radio Without new generation radio	X18126 PIN 12 PIN 15
A2	Cable branch	Terminal 30	RT 0.75 mm <sup>2</sup>	With enclosed socket and plug contact on radio plug With new generation radio Without new generation radio	X18126 PIN 15 PIN 9
A3	2-pin SW plug	---	---	On hands-free control unit	---
B	Mute circuit wiring harness	---	---	---	---
B1	Cable branch	Mute	SW 0.35 mm <sup>2</sup>	With enclosed socket and plug contact on radio plug With new generation radio Without new generation radio	X18126 PIN 10 PIN 4
B2	WS 5-pin plug	---	---	On hands-free control unit	---

## 5. To install and connect the wiring harness



Route branches **A1 – A2** and **B1** to the radio plug **X18126**.  
Route branches **A3** and **B2** to the oddments box on the passenger side.

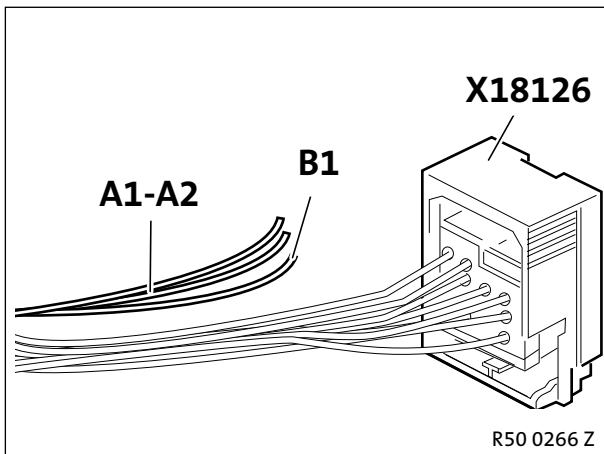


### Cars with a new generation radio only

Connect branches **A1 – A2** and **B1** as follows to the radio plug **X18126**:

- **A1**, SW cable, to BR cable on PIN 12
- **A2**, RT cable, to RT/GN cable on PIN 15
- **B1**, SW cable, to WS/BR cable on PIN 10

See figure R50 0248 Z for the procedure.

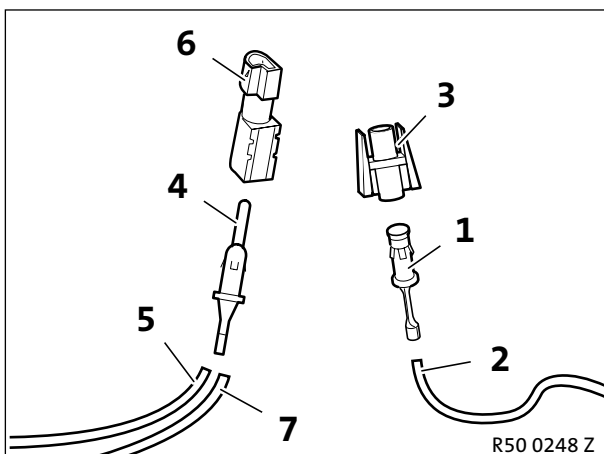


### Cars without a new generation radio only

Connect branches **A1 – A2** and **B1** as follows to the radio plug **X18126**:

- **A1**, SW cable, to BR cable PIN 15
- **A2**, RT cable, to RT/GN cable PIN 9
- **B1**, SW cable, to WS/BR cable PIN 4

See figure R50 0248 Z for the procedure.

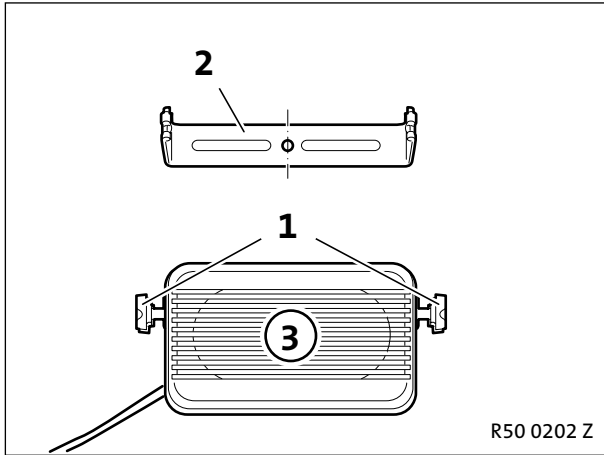


### All cars

Cut the corresponding cable of the radio plug at a suitable point.  
Crimp the socket contact (1) onto the cable end (2) of the plug and put on the socket casing (3).  
Crimp the plug contact (4) onto the open cable end (5), crimp on the corresponding branch (7) and put on the plug casing (6).  
Connect the socket and plug casings (3+6) together.

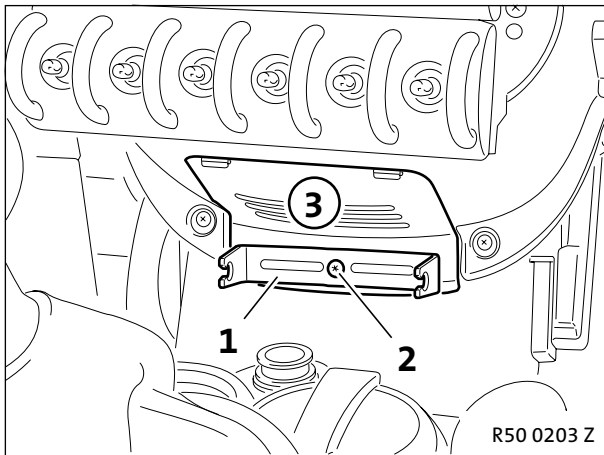


## 6. To install the loudspeaker

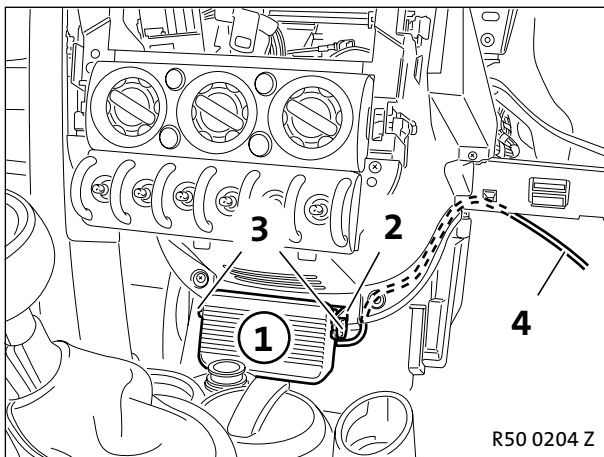


Unscrew both knurled-head bolts (1) and remove the holder (2) from the loudspeaker (3).

Drill a 5 mm hole in the centre of the holder (2).



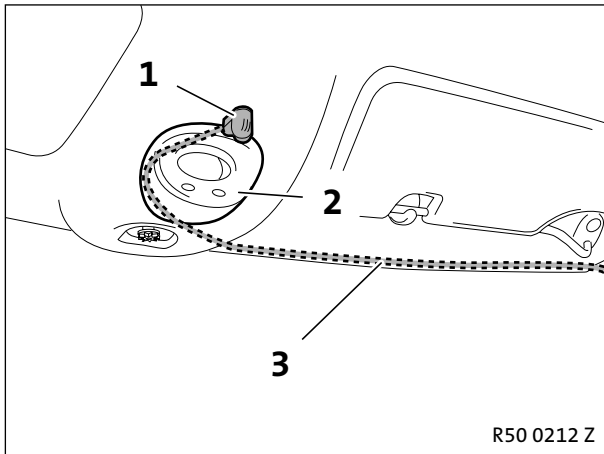
Screw the holder (1) to the trim (3) using the existing Torx screw (2).



Insert the loudspeaker (1) into the holder (2) and secure it with the knurled-head bolts (3).

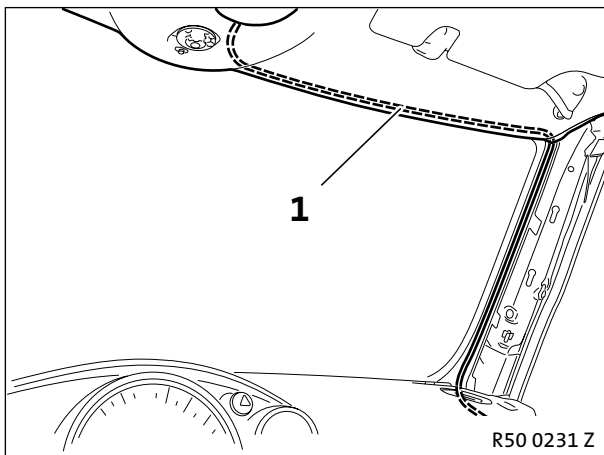
Route the loudspeaker cable (4) to the oddments box on the passenger side.

## 7. To install the hands-free microphone



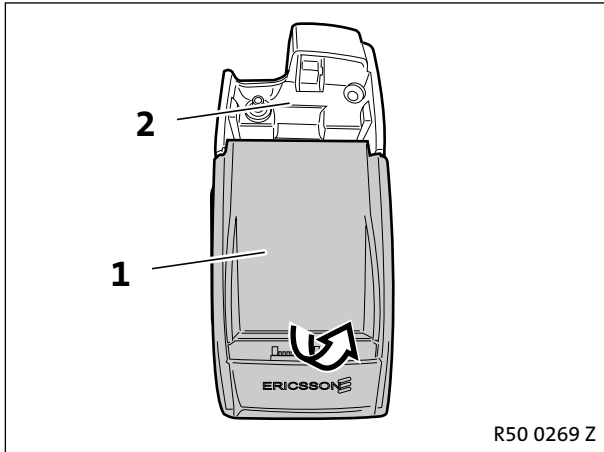
Use the self-adhesive Velcro strip to attach the hands-free microphone (1) to the headlining in front of the clock (2).

Route the microphone cable (3) beneath the headlining towards the A pillar on the passenger side.

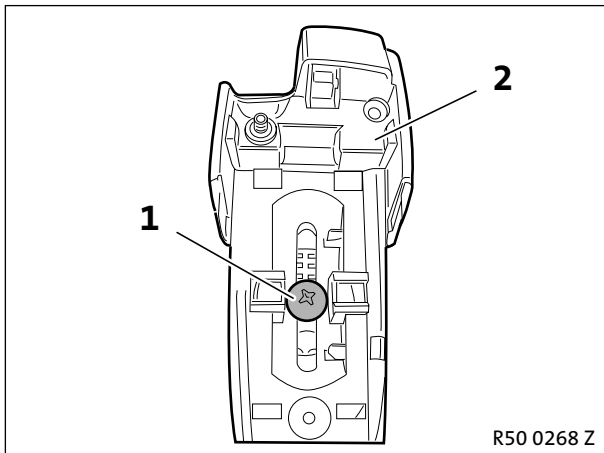


Route the microphone cable (1) to the oddments box on the passenger side.

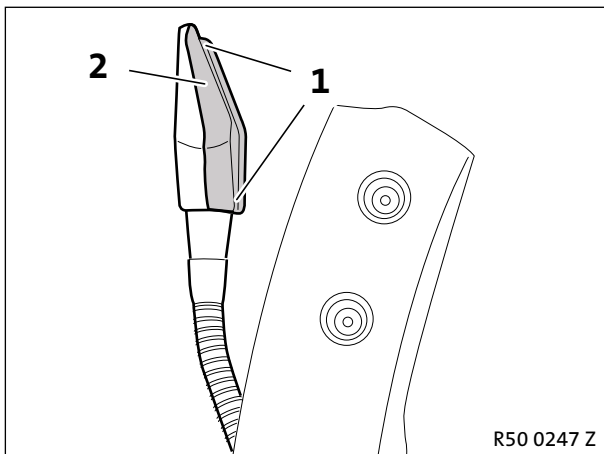
## 8. To install the mobile phone holder



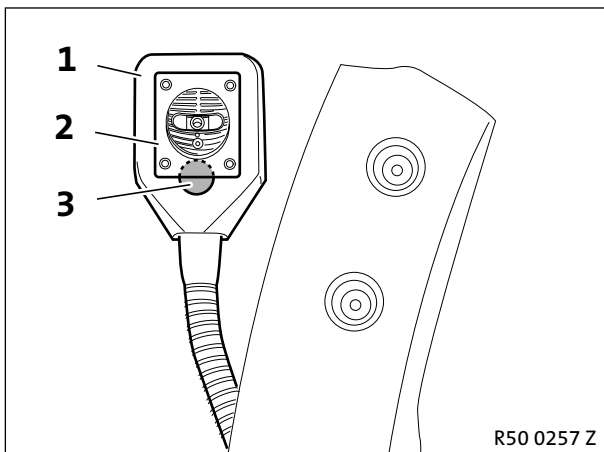
Remove the bottom section (1) from the mobile phone holder (2).



Undo the Philips screw (1) and remove the mobile phone holder (2) from the retaining foot.



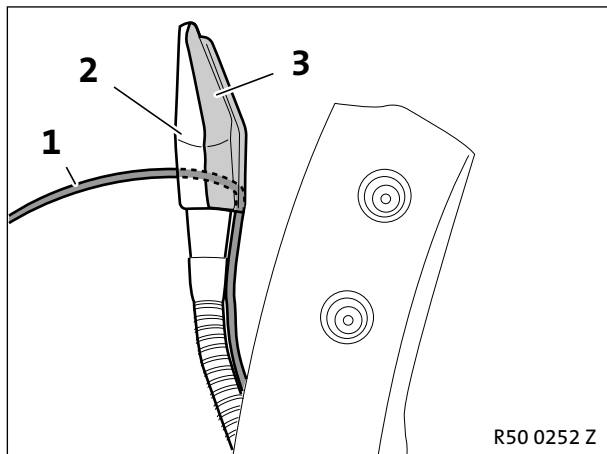
Undo the Philips screws (1) and remove the rear cover (2).



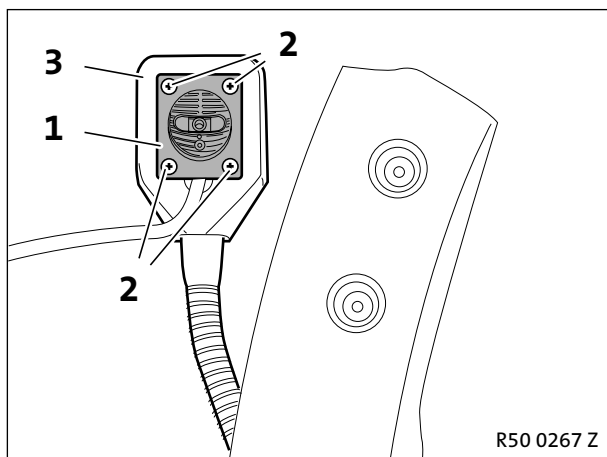
Place the retaining foot (1) onto the gooseneck (2) and mark the outline.

Drill a 22 mm hole (3) in the bottom area as shown.

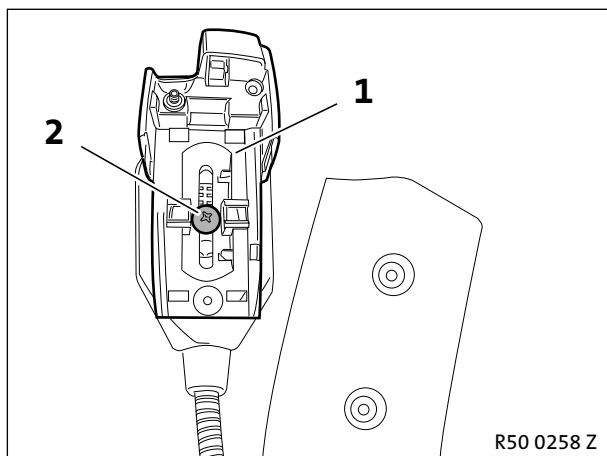
8. To install the mobile phone holder



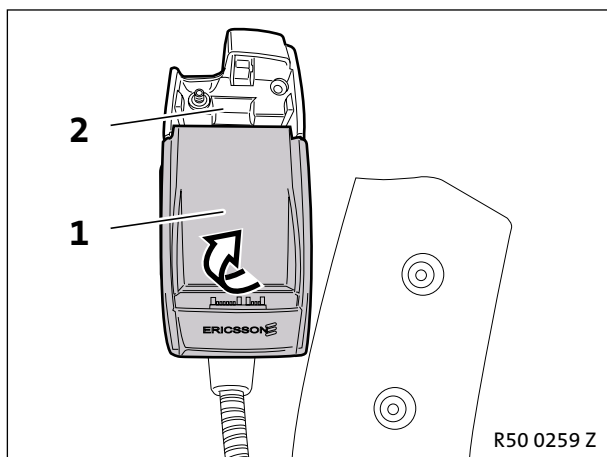
Route the cables (1) of the mobile phone holder through the gooseneck (2) and put the rear cover (3) back on.



Screw the retaining foot (1) onto the gooseneck (3) using a Philips screw (2).

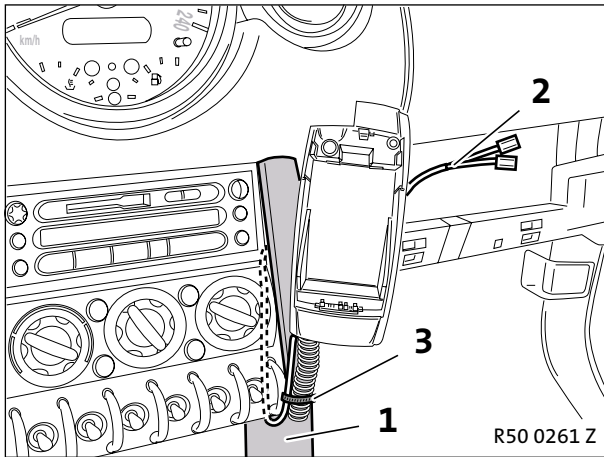


Fasten the mobile phone holder (1) to the retaining foot using a Philips screw (2).



Put the bottom section (1) back on the mobile phone holder (2).

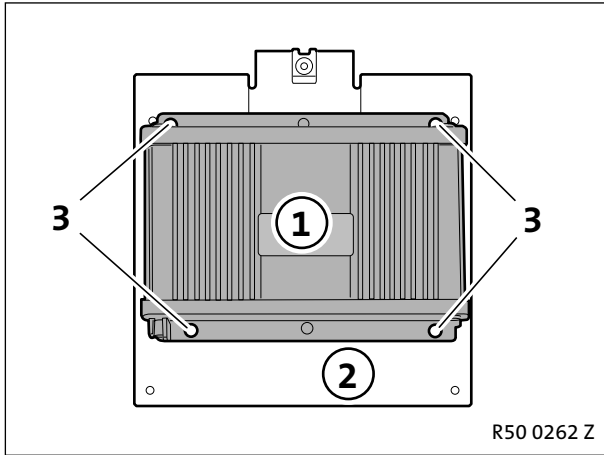
8. To install the mobile phone holder



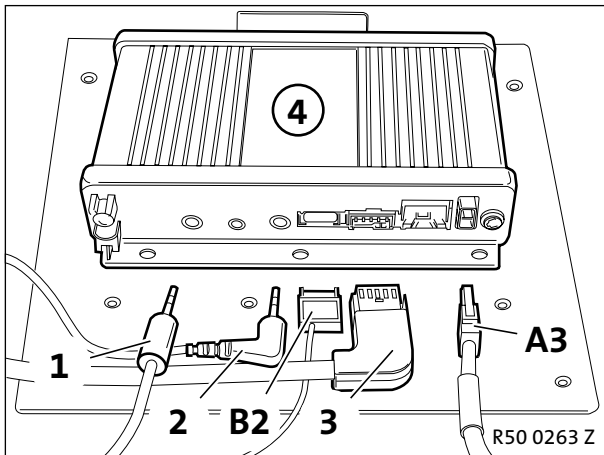
Install the radio.

Install the gooseneck (1) and attach the connection cable (2) as shown using cable ties (3). Route it to the oddments box on the passenger side.

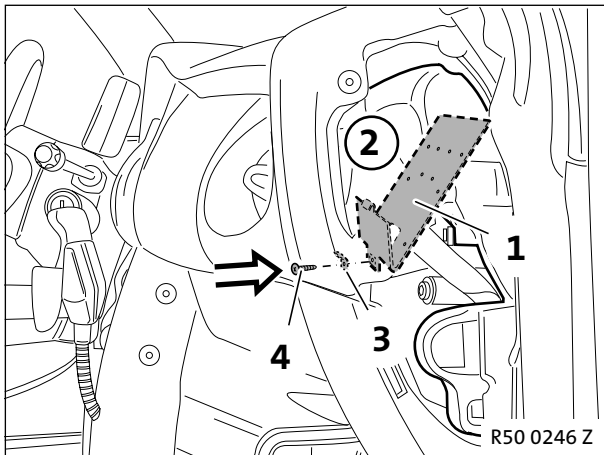
## 9. To install the hands-free control unit



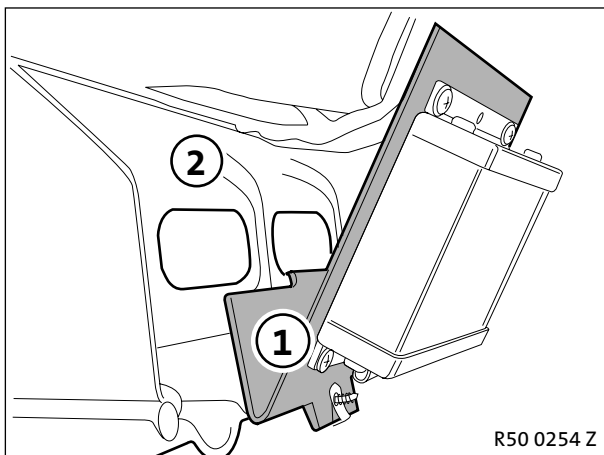
Screw the hands-free control unit (1) onto the holder (3) using a Philips screw (2).




Connect the loudspeaker cable plug (1), the microphone cable plug (2), the mobile phone holder plug (3) and branches A6 and B2 to the hands-free control unit (4).



Hook the holder (1) into the instrument carrier (2) from behind and fasten it in place using the bar (3) and a Philips screw (4).



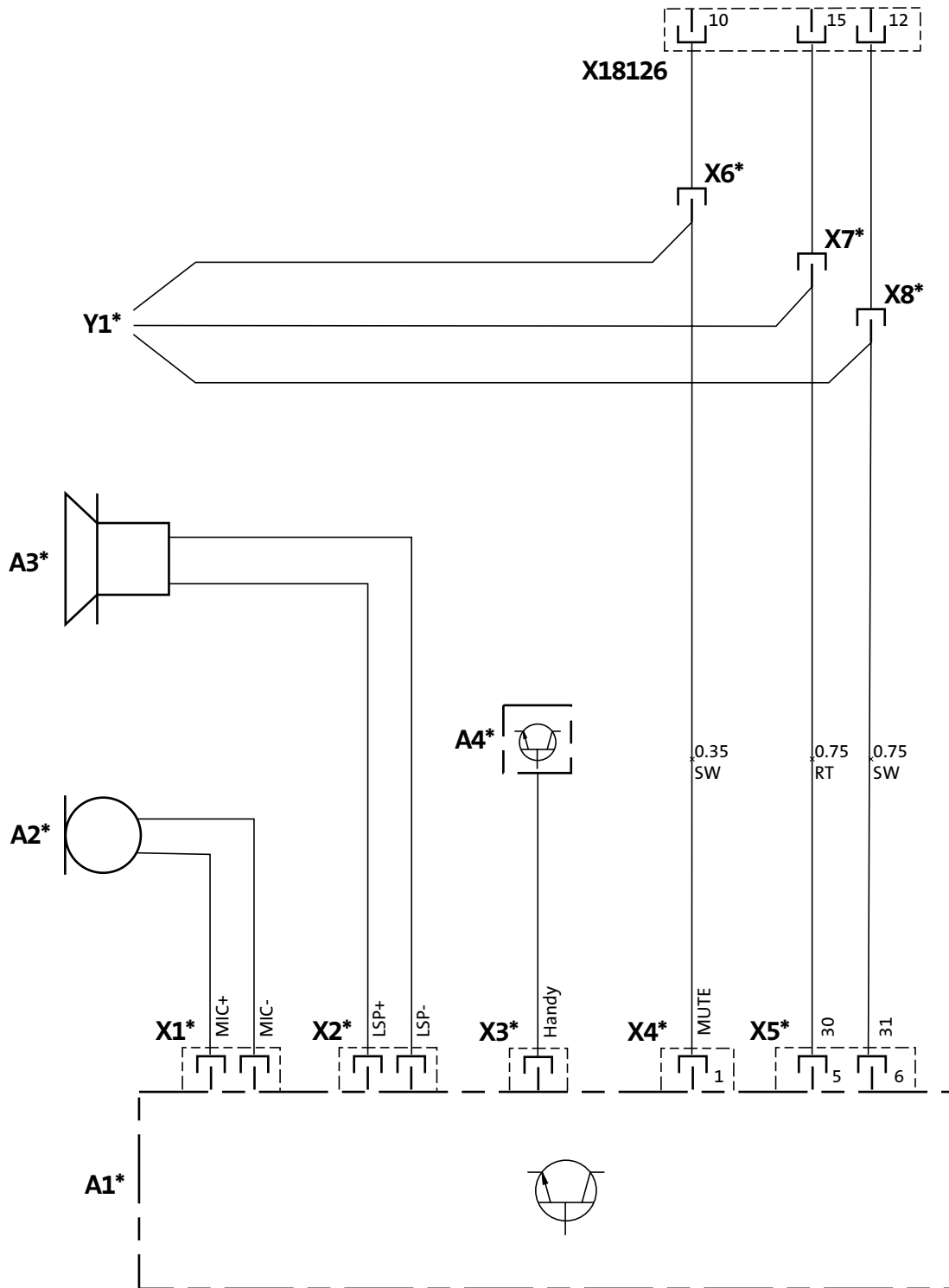
 The figure shows the installed holder (1) with the instrument carrier removed (2). ◀

## 10. Concluding work

- Connect battery
- Conduct a brief test
- Conduct a function test
- Assemble the car following the instructions to dismantle it in reverse order.

# 11. Hands-free kit circuit diagram

Cars with a new generation radio only

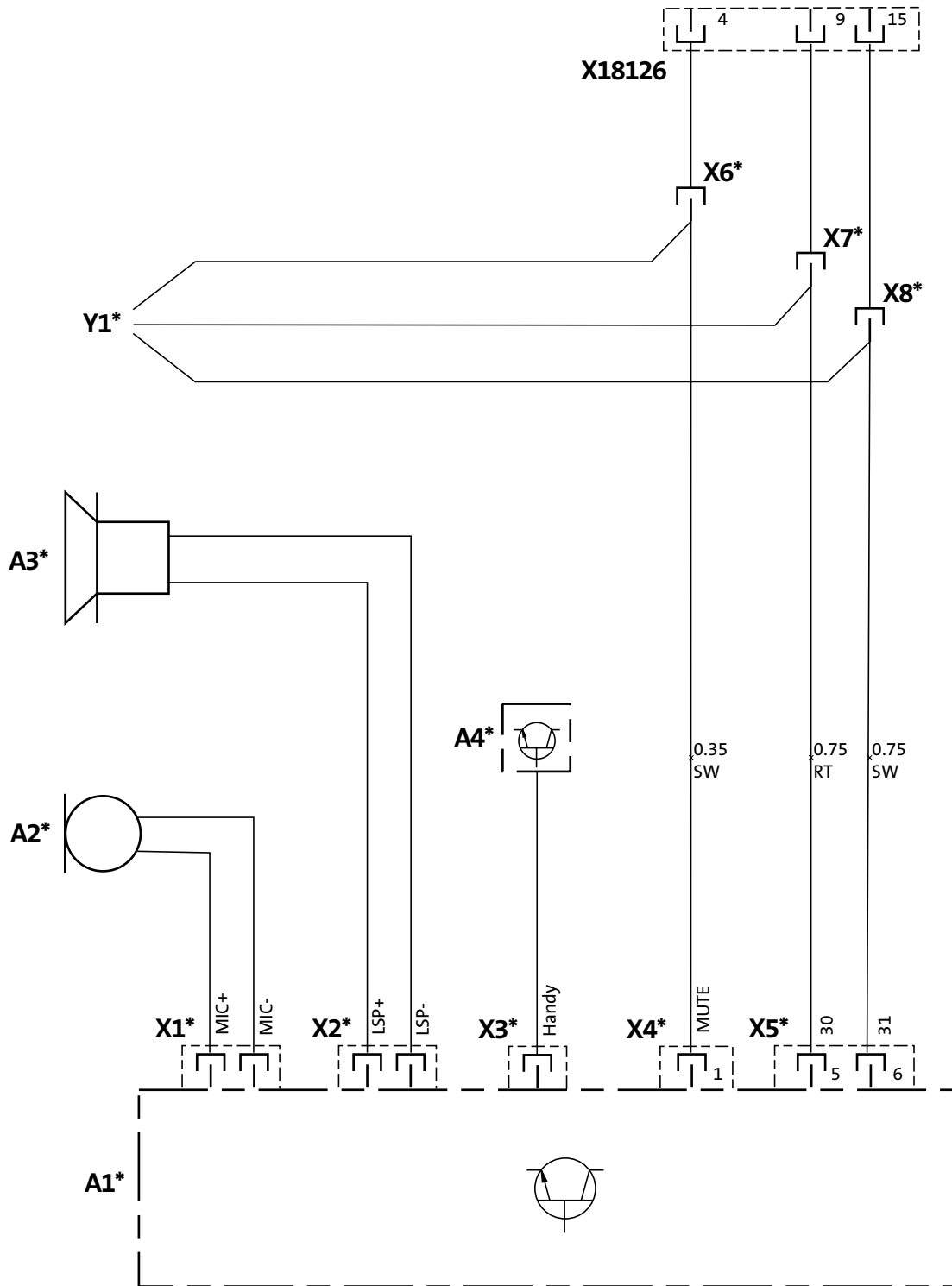


R50 0270 Z



# 11. Hands-free kit circuit diagram

## Cars without a new generation radio only



R50 0271 Z

## 11. Hands-free kit circuit diagram

### Legend

A1\* Hands-free control unit  
A2\* Hands-free microphone  
A3\* Loudspeaker  
A4\* Mobile phone holder

X1\* SW 2-pin pawl plug  
X2\* SW 2-pin pawl plug  
X3\* SW 10-pin plug  
X4\* WS 5-pin plug  
X5\* SW 2-pin plug  
X6\* Twin-lead terminal  
X7\* Twin-lead terminal  
X8\* Twin-lead terminal  
X18126 Radio plug

Y1\* To standard wiring harness

All designations with an asterisk (\*) only apply to these installation instructions and these circuit diagrams.

### Cable colours

RT red  
SW black  
WS white